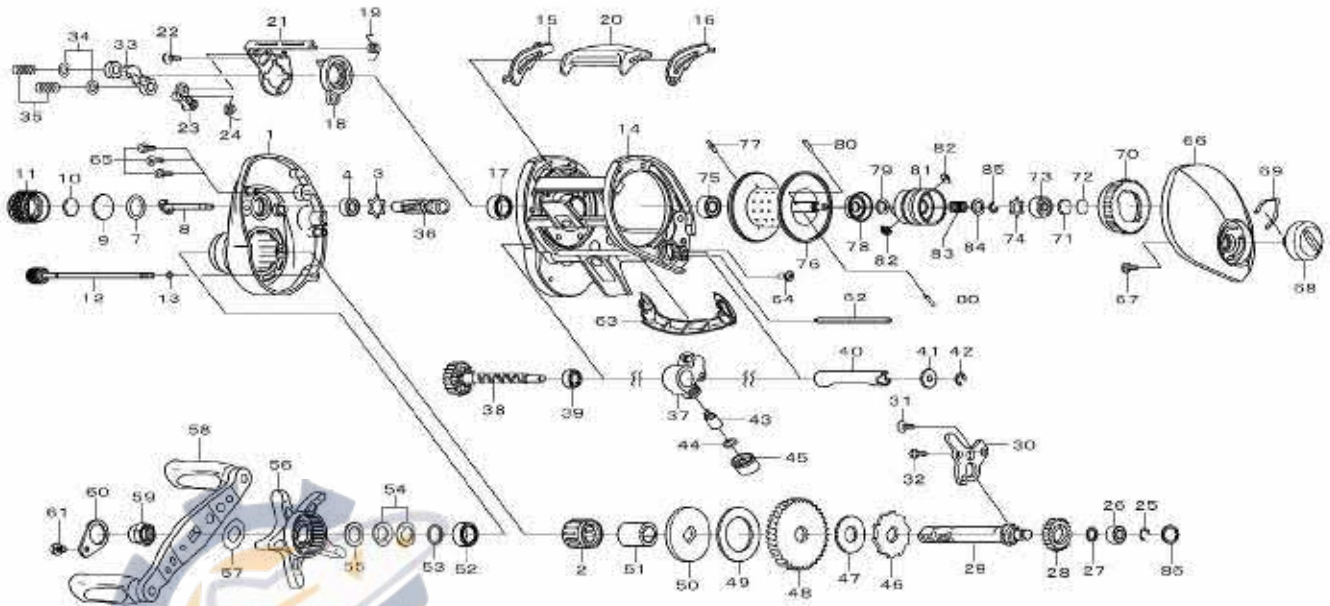


Please order by parts number, not key number  
 Veuillez indiquer le numéro de la pièce.



# AGGREST 100HSLA



Key No.	Parts No.	Parts Name	Key No.	Parts No.	Parts Name
1	H01-5109	Left side plate	40	G93-4201	Level wind guard
2	F55-2703	Roller clutch	41	F65-5501	Worm shaft washer
3	H18-0601	Bearing retainer (A)	42	320-5901	Worm shaft retainer
4	B35-8607	Ball bearing (A)	43	F51-6501	Line guide pawl
7	B05-5201	"O" ring (A)	44	373-1300	Line guide washer
8	G93-1001	Pinion shaft	45	F40-2801	Pawl cap
9	375-7501	Spool adjusting cap metal	46	H35-0901	Clutch wheel
10	B17-5503	Spacer (A)	47	G93-4401	Drive shaft washer
11	H21-3602	Cast control cap	48	H35-0301	Drive gear (B)
12	H34-8501	Left side plate screw (A)	49	H35-9001	Drag washer
13	B85-3101	"O" ring (B)	50	G93-4701	Key washer
14	H35-0101	Frame assembly	51	G93-4802	Gear shaft collar
15	H01-3601	Spacer (B)	52	B86-1704	Ball bearing (D)
16	H01-3501	Spacer (C)	53	B55-3801	Bearing washer
17	B86-1704	Ball bearing (B)	54	150-8901	Drag spring washer
18	G97-4401	Clutch cam (A)	55	373-7810	Spacing sleeve
19	G97-4501	Clutch cam spring (A)	56	H18-3902	Star drag
20	G93-1801	Clutch lever	57	150-9001	Friction washer
21	G97-4601	Clutch cam (B)	58	H34-9301	Handle assembly
22	352-2501	Clutch cam screw	59	G79-3308	Handle nut
23	G97-4701	Clutch trip lever	60	040-3206	Handle nut plate
24	G97-4801	Clutch cam spring (B)	61	353-8301	Handle nut plate screw
25	320-8002	Retainer (A)	62	H00-2401	Stabilizer bar
26	B35-8607	Ball bearing (C)	63	H01-7501	Front plate
27	E09-6501	Washer (A)	64	G61-1501	Front plate screw
28	G93-2201	Drive gear (A)	65	351-1001	Left side plate screw (B)
29	H35-0702	Drive shaft	66	H35-0501	Right side plate
30	G93-2401	Drive shaft retainer	67	F21-2201	Set plate screw
31	352-2501	Drive shaft retainer screw (A)	68	G93-6219	Brake adjusting knob
32	351-1001	Drive shaft retainer screw (B)	69	H08-4401	Brake click spring
33	G97-5201	Yoke	70	H02-9701	Magnet holder
34	B41-1706	Yoke washer	71	375-7411	Spacer (D)
35	G85-0301	Yoke spring	72	375-7404	Spacer (E)
36	H35-0201	Pinion gear	73	G51-1502	Ball bearing (E)
37	H00-1704	Line guide	74	H18-0501	Bearing retainer (B)
38	H34-9101	Worm shaft assembly	75-85	Z01-9337	Spool assembly
39	G05-1701	Bearing (A)	86	H30-6600	Washer (B)